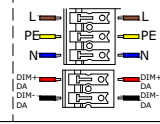
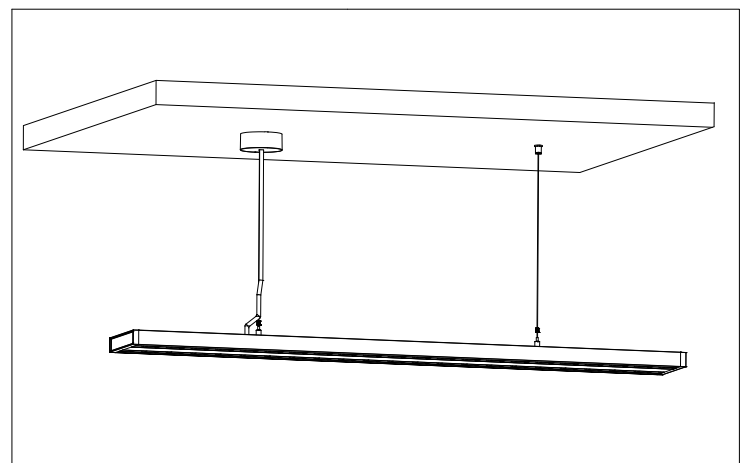
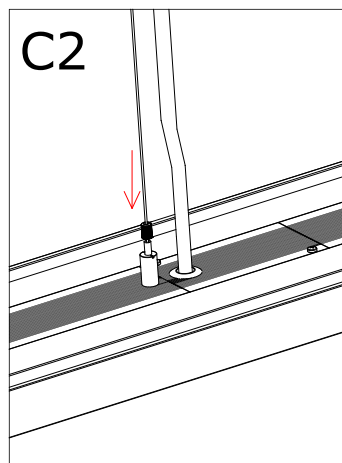
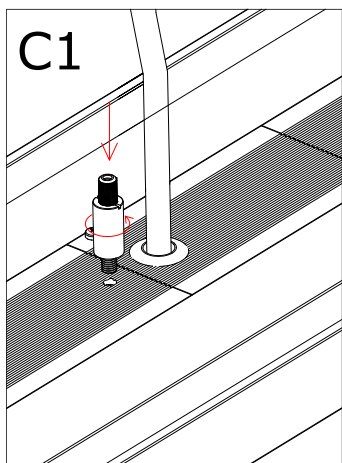
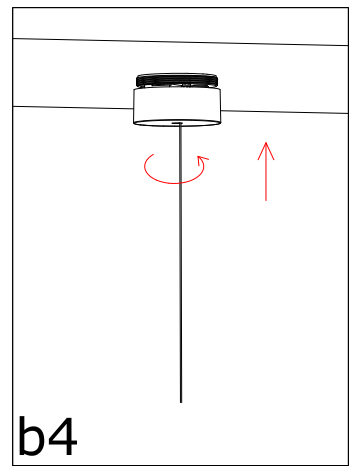
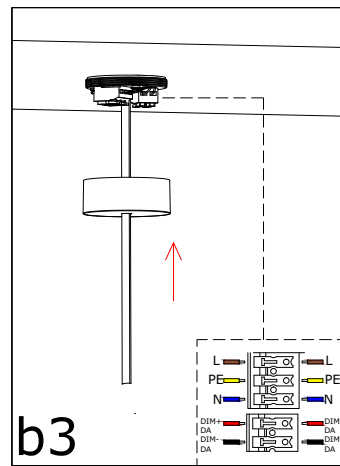
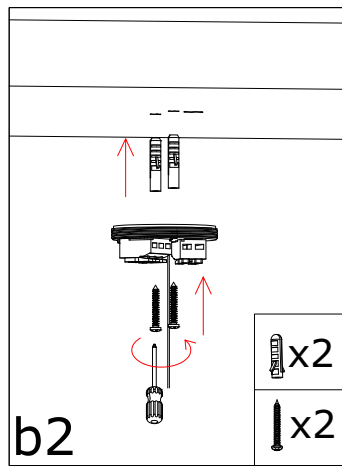
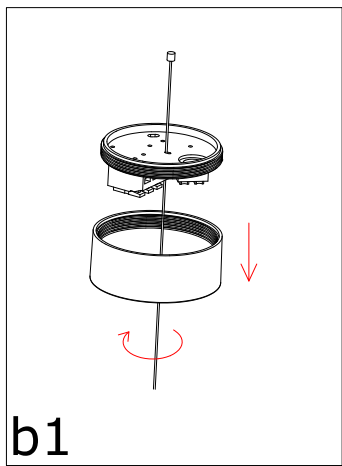
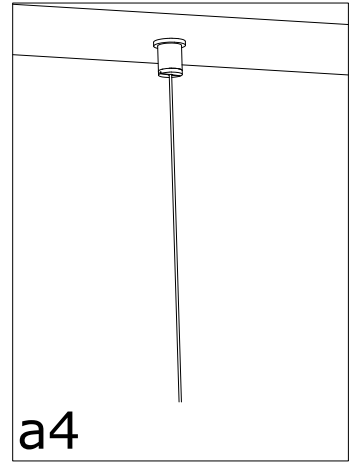
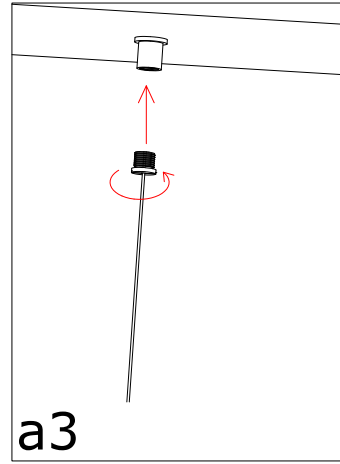
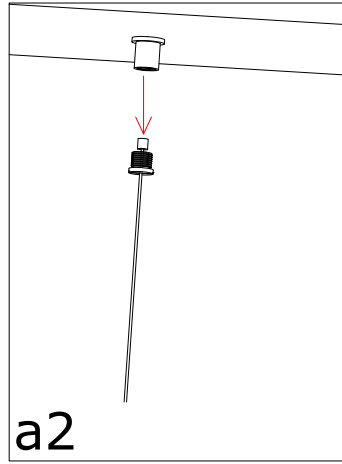
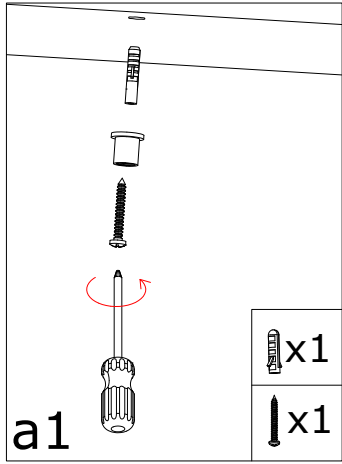
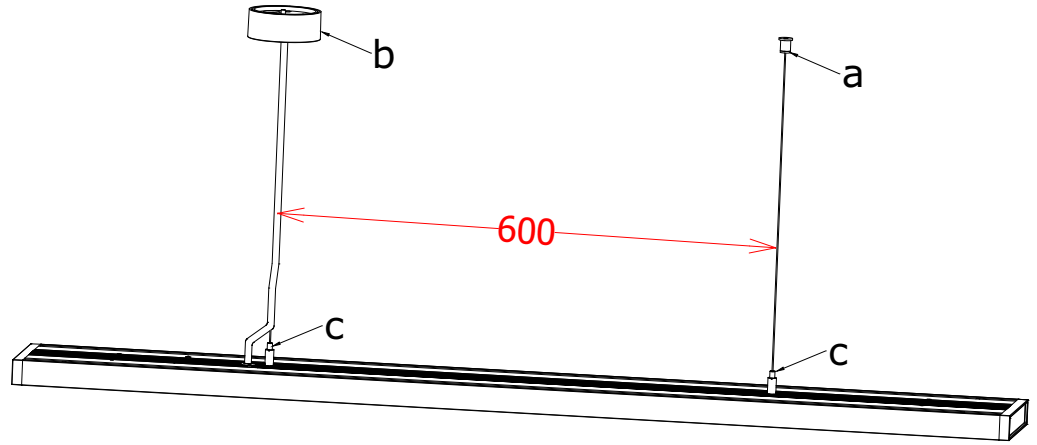
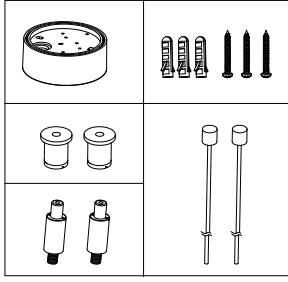
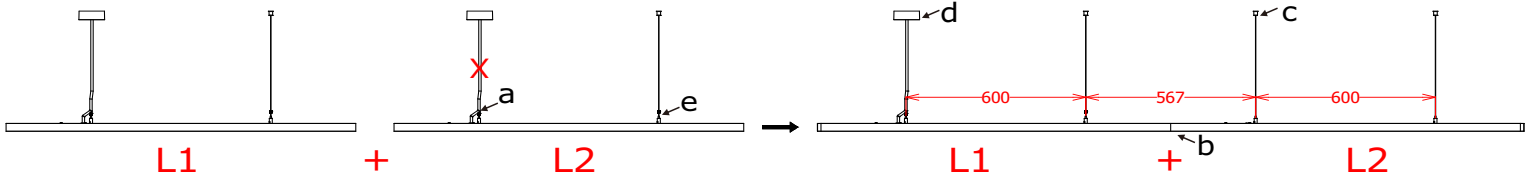


# Installation instruction



# Installation instruction



Friendly reminder : one AC input cable support 10pcs lamp link

