

FREE-D1 free standing luminaire



The FREE series come with minimalist design, excellent material selection and production technology, exquisite appearance, and rich texture. A variety of combinations of lamp head design is accessible for office lighting scenes consisting of a variety of desks.

Its luminous efficiency is up to 135LM/W. the maximum power is 150W, and the luminous flux can reach 20000 lumens; Supports brightness adjustment, color temperature adjustment, motion detection, and constant light control.

CANSAMBI/TUYA or OSRAM BT CONTROL enables network control such as HCL and SWARM functions.

6063 aluminum and PMMA/PC material, the lighting from the lamp head, with the ratio of upper and lower light is 8:2, UGR < 16, is soft and comfortable. The light pole is made of 6063 aluminum with built-in power supply and control system. The base is made of hot-rolled steel plate.

Features

Compact and quality appearance, patent design with rich texture and visual impact

High lumen efficiency reach to 135LM/W, fitting with a 4550lm direct and 15250lm indirect lights, total 19800lm lumen output

Direct and indirect light control Individually

Support for smart control functions

- Touch panel dimming
- Motion sensor
- Day light sensor(optional)
- Tunable white
- CASAMBI(Customizable)
- HCL(Customizable)
- SWARM(Customizable))

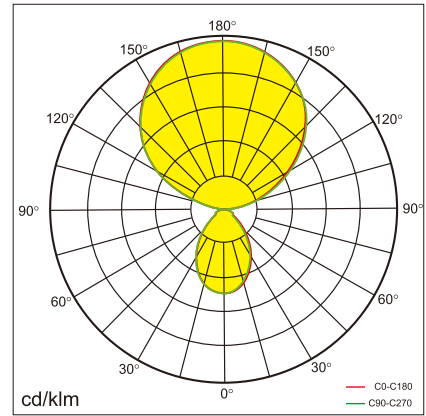
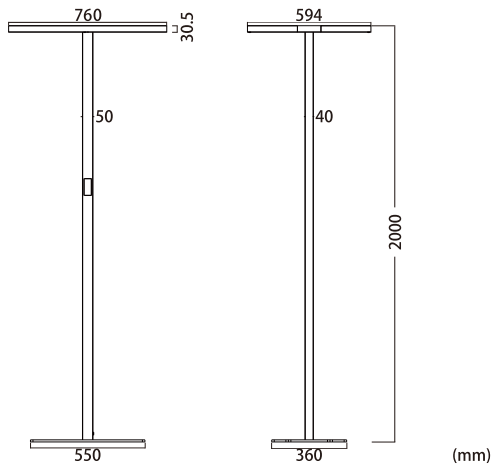
5 years warranty

Application Areas

For personal offices, public offices and other office space.



Technical data



Item No.	BFRD-2015045-BD-01	BFRD-2015045-CD-01
Input Power	↑ 105W/45W↓	↑ 105W/45W↓
Input Voltage	AC200~240V	AC200~240V
Power Factor	≥0.9	≥0.9
Luminous Flux(±5%)	↑ 15250lm/4550lm↓	↑ 14800lm/4200lm↓
UGR	<16	<16
Color Rendering Index	>80	>80
Life Time	L80(B10)50,000H	L80(B10)50,000H
Beam Angle	↑ 115°/75°↓	↑ 115°/75°↓
CCT	3000/4000/6000K	3000~6000K
Colour consistency SDCM	< 3	< 3
Dimming	Touchpaneldimming	Touchpaneldimming
Sensor	Daylight sensor Motion sensor	Daylight sensor Motion sensor
Housing Color	Silver/White	Silver/White
Fixture Materia	6063AL	6063AL
Protection Level	IP20	IP20
Storage Temperature	-40°C~+80°C	-40°C~+80°C
Working Temperature	-20°C~+45°C	-20°C~+45°C
Net Weight	22kg	22kg
Package size	850*685*125mm(head&base) 2125*275*225mm(pole)	850*685*125mm(head&base) 2125*275*225mm(pole)
20GP	288pcs	288pcs
40GP	612pcs	612pcs

Shenzhen Nexol Lighting Technology Co., Ltd

E-mail: info@nexol-lighting.com

www.nexol-lighting.com

Factory: Floor 6-9, Building 3, Tonghu Intelligent Industrial Park, Zhongkai High-Tech District, HuiZhou516035

Office: Room 306&309, Floor 3, Building E, Longhua Digital Industrial Park, Guanlan Road 54-6, Longhua district, Shenzhen, China 518110



All values in specification are typical value from laboratory measurement, for concrete data, please refer to shipment testing report. Information provided is subject to change without notice. Please verify all details with NEXOL Lighting. Copyright Shenzhen Nexol Lighting Co., Ltd.. All rights reserved.