



Inheriting classic design, square corner structure, perfect assembly details makes exquisite appearance with rich texture. The product emits downwards and adopts a diffuser plate of a microprism structure to realize an anti-glare function, the beam angle is about 90 degrees, the upward beam angle is 110 degrees. DIY assembly, no need professionals, easy installation, flexible using. Typical value is 120LM/W, flicker free, KNOB dimming, 50% DIRECT / 50% INDIRECT synchronous dimming control, and other intelligent control like motion sensor and day light sensor , etc. Suitable for four desks of 0.8*1.6m offering uniform lighting on eye areas with assembled base. The main materials are aluminum profiles, steel and PMMA. With Integrated structure pole .

Features

Simple and exquisite industrial design with rich texture

UGR<17, lighting uniform and healthy

SDCM < 3

Support smart control functions

- Knob dimming
 - Motion sensor
 - Daylight sensor
-

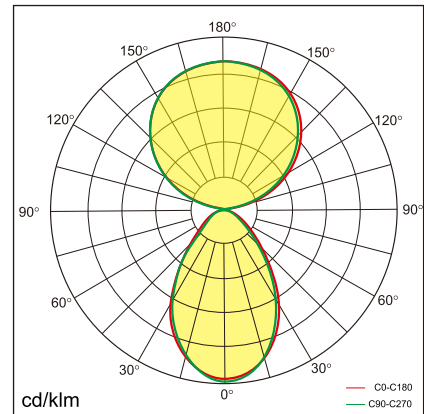
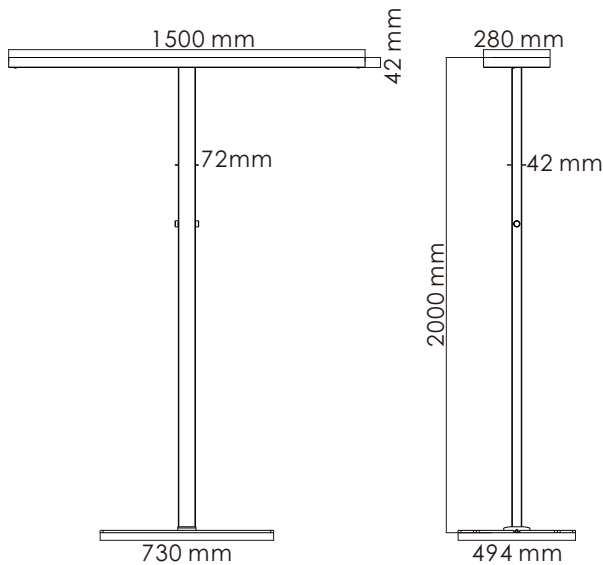
5 years warranty

Application Areas

For public offices and other office space.



Technical data



Item No.	BNID-201 6080-BD	BNID-201 6080-CD
Input Power	↑80W/80W↓	↑80W/80W↓
Input Voltage	AC200~240V	AC200~240V
Power Factor	≥0.9	≥0.9
Luminous Flux	↑11500lm/7700lm↓	↑11000lm/7350lm↓
UGR	<17	<17
Color Rendering Index	>80	>80
Life Time	L80(B10)50,000H	L80(B10)50,000H
Beam Angle	↑110°/90°↓	↑110°/90°↓
CCT	3000/4000/6000K	3000~6000K
Colour consistency SDCM	< 3	< 3
Dimming	Knob dimming	Knob dimming
Sensor	Daylight sensor Motion sensor	Daylight sensor Motion sensor
Housing Color	Silver/White	Silver/White
Fixture Materia	6063AL	6063AL
Protection Level	IP20	IP20
Storage Temperature	-40°C~+80°C	-40°C~+80°C
Working Temperature	-20°C~+45°C	-20°C~+45°C
Net Weight	21.8kg	21.8kg
Package size	2040*485*180mm	2040*485*180mm
20GP	132pcs	132pcs
40GP	288pcs	288pcs

Shenzhen Nexol Lighting Technology Co.,Ltd.

E-mail: info@nexol-lighting.com

www.nexol-lighting.com

Factory: 3&4th F, Building A3, Xin-Gui-Yuan Industrial Park, DaFu Road, GuanLan Town, ShenZhen, China 518110

Office: 5th F, Building A1, Zhang-Ge Techno Park, GuanLan Town, ShenZhen, China 518110



All values in specification are typical value from laboratory measurement, for concrete data, please refer to shipment testing report.

Information provided is subject to change without notice. Please verify all details with NEXOL Lighting.

Copyright Shenzhen Nexol Lighting Co., Ltd.. All rights reserved.